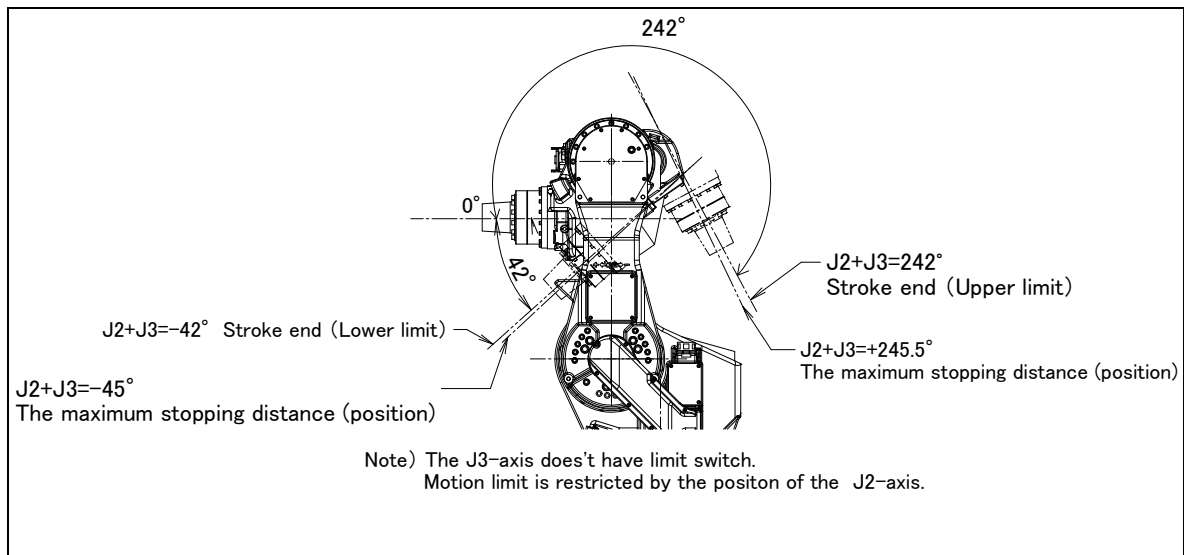


**Fig. 3.3 (f) J3-axis motion limit (M-710iC/50/70/50H/45M/50E)**



**Fig. 3.3 (g) J3-axis motion limit (M-710iC/50S)**